

EB parts



No.	Description	EB 40 (1× HEX 2)			EB 50 (1× HEX 4)		
		From	Till	Art. no.	From	Till	Art. no.
Jacket							
1	Accesspanel Control Display			0310506(S)			0310506(S)
Heat Exchanger							
2	Gasket (Fan-Heat Exchanger)			0310812(S)			0310812(S)
3	Gasket (Venturi-Fan)			0310454(S)			0310454(S)
4	Venturi			0310429(S)			0310430(S)
5	Gasket (Silencer-Venturi)			0310403(S)			0310403(S)
6	Silencer			0310453(S)			0310451(S)
7	Gasket (Venturi-Gas Control Valve)			0310458(S)			0310458(S)
8	Gasket (Ionisation-/Ignition rod-Heat Ex.)			0310489(S)			0310489(S)
9	Clamp Cover Heat Exchanger			0310409(S)			0310409(S)
10	Cover Heat Exchanger			0310507(S)			0310508(S)
11	Gasket (Heat Exchanger-Cover Heat Ex.)			0310499(S)			0310500(S)
12	Gasket (Burner-Cover Heat Exchanger)			0310497(S)			0310498(S)
13	Burner	NAT/LP		0310494(S)	before 25-03-'12		0310495(S)
		NAT		-	after 26-03-'12		0310534(S)
		LP		-	after 26-03-'12		0310495(S)
14	Insulation Heat Exchanger			0310505(S)			0310505(S)
15	Heat Exchanger			0310813(S)			0310814(S)
16	Gasket (Condensate Tray-Heat Exchanger)			0310496(S)			0310502(S)
17	Safety Valve			0310466(S)			0310466(S)
18	Hose Clamp			0310477(S)			0310477(S)
19	Discharge Hose Safety Valve			0310486(S)			0310486(S)
20	Condensate Tray			0310503(S)			0310504(S)
21	Clamp Condensate Tray			0310408(S)			0310408(S)
22	Cap Automatic Air Vent			0310474(S)			0310474(S)
23	Automatic Air Vent			0310815(S)			0310815(S)
24	Gasket (Air Vent-Heat Exchanger)			0310816(S)			0310816(S)
25	Gasket (Condense Tray-Flue Gas Outlet)			0310817(S)			0310817(S)
26	Spring Ignition Electrode			0310491(S)			0310491(S)
27	Water Pressure Sensor			0310485(S)			0310485(S)
Casing and Tubing							
28	Gasket (Condense Tray-Air Box)			0310459(S)			0310459(S)
29	Gasket (Syphon-Air Box)			0310419(S)			0310419(S)
30	O-ring (Syphon)			0310420(S)			0310420(S)
31	O-ring (Syphontray)			0310818(S)			0310818(S)
32	Drain Pipe Condensate Tray			0310421(S)			0310421(S)
33	Syphon			0310375(S)			0310375(S)
34	Gasket Air Inlet			0310448(S)			0310448(S)
35	Cover Air Inlet			0310446(S)			0310446(S)
36	Gasket Flue Gas Discharge Pipe			0310487(S)			0310487(S)
37	Cover Air Inlet			0310447(S)			0310447(S)
38	Air Box (Backside)			0310417(S)			0310418(S)
39	Gasket (Air Box-Flow/Return)			0310407(S)			0310407(S)
40	Cover Air Box			0310822(S)			0310822(S)
41	Flens Gas Control Valve			0310462(S)			0310462(S)
42	O-ring (Flow/Return)			0310410(S)			0310410(S)
43	Gas Pipe			0310460(S)			0310460(S)
44	Gasket Gas Control Valve Connection			0310461(S)			0310461(S)
45	O-ring (Gas Pipe)			0310456(S)			0310456(S)
46	Return Pipe Pump			0310423(S)			0310455(S)

# EB

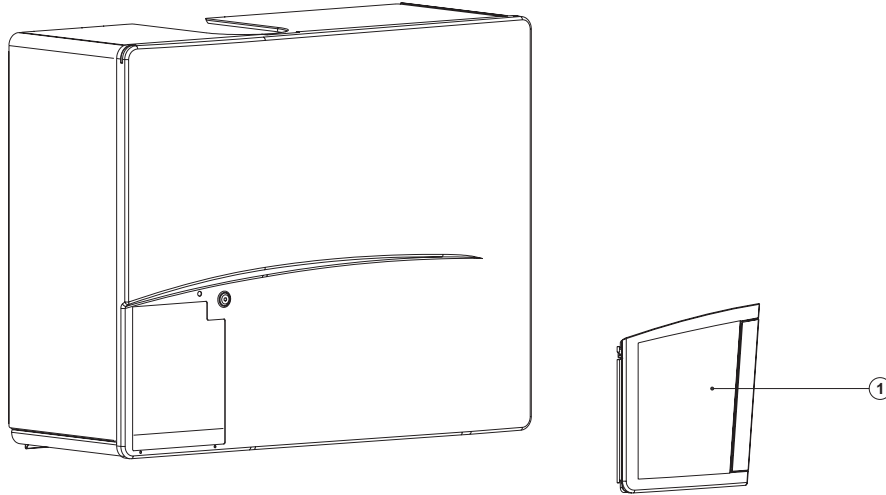
## EB parts

No.	Description	EB 40 (1× HEX 2)			EB 50 (1× HEX 4)		
		From	Till	Art. no.	From	Till	Art. no.
47	O-ring (Flow/Return Connection)			0310824(S)			0310824(S)
48	Flow Pipe			0310427(S)			0310428(S)
49	Gasket (Pump)			0310820(S)			0310820(S)
50	Click Connection Air Box			0310438(S)			0310438(S)
51	Air Box (Frontside)			0310823(S)			0310416(S)
52	Gasket (Air Box)			0310478(S)			0310478(S)
53	Filter Return Pipe			0310821(S)			0310821(S)
<b>Control and Electrical Parts</b>							
54	Trafo			0310452(S)			0310452(S)
55	Control Box (Backside)			0310440(S)			0310440(S)
56	Cable Assy			0310479(S)			0310479(S)
57	Control			0310492(S)			0310492(S)
58	Display			0310493(S)			0310493(S)
59	Control Box (Frontside)			0310439(S)			0310439(S)
60	Lock (Control Box)			0310444(S)			0310444(S)
61	Lock (Control Box-Air Box)			0310445(S)			0310445(S)
62	Fan Motor			0310481(S)			0310406(S)
63	Pump			0310488(S)			0310509(S)
64	Gas Control Valve			0310869(S)			0310869(S)
65	Water Pressure Sensor			0310485(S)			0310485(S)
66	Ignition Electrode with Gasket			0310490(S)			0310490(S)
67	Flow Sensor			0310511(S)			0310511(S)
68	NTC Sensor			0310404(S)			0310404(S)
69	Fuse Control (250V 4AT)			0310484(S)			0310484(S)
	Fuse Control (250V F2.0A)			0310825(S)			0310825(S)
	Fuse Control (250V F3.0A)			0310826(S)			0310826(S)
70	Communication Cable (Control-Display)			0310433(S)			0310433(S)
71	Ignition Cable Set			0310480(S)			0310480(S)

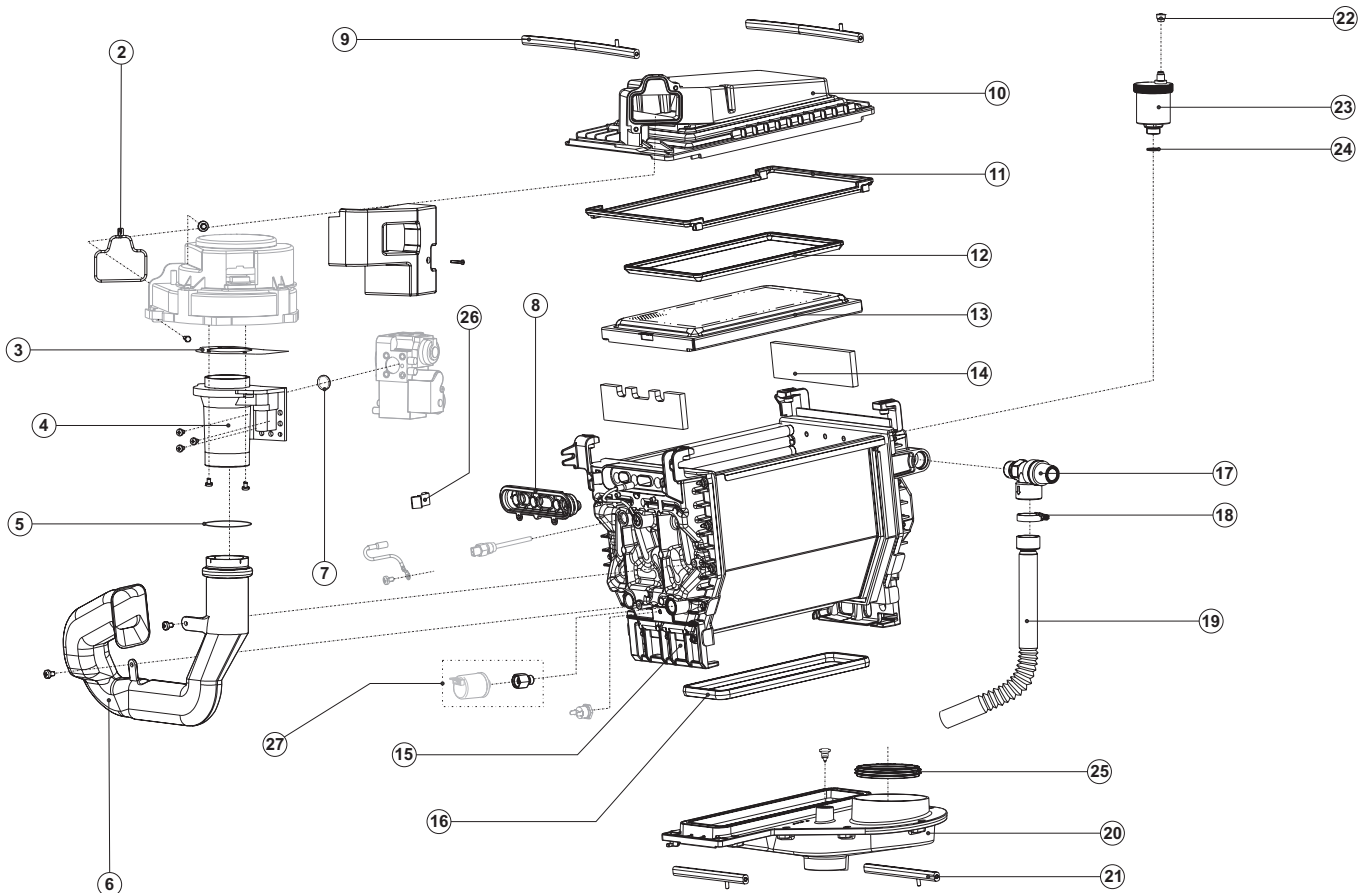
## EB Conversion sets

Description	EB 40 (1× HEX 2)			EB 50 (1× HEX 4)		
	From	Till	Art. no.	From	Till	Art. no.
Conversion set to LP gas from NAT to LP			0310800(S)	before 23-03-'12		0310793(S)
				after 26-03-'12		0310795(S)
Conversion set to NAT gas from LP to NAT			0310802(S)			0310803(S)

# Exploded view EB

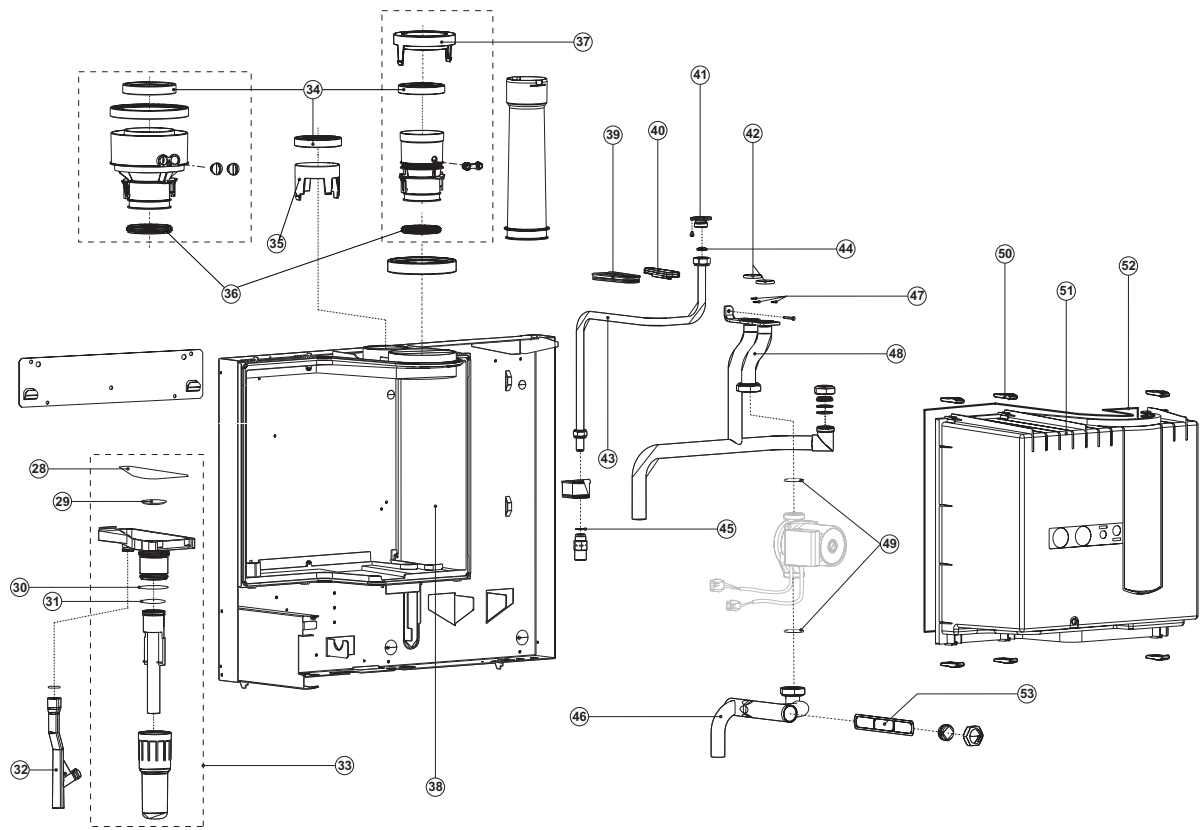


EVD-0087A

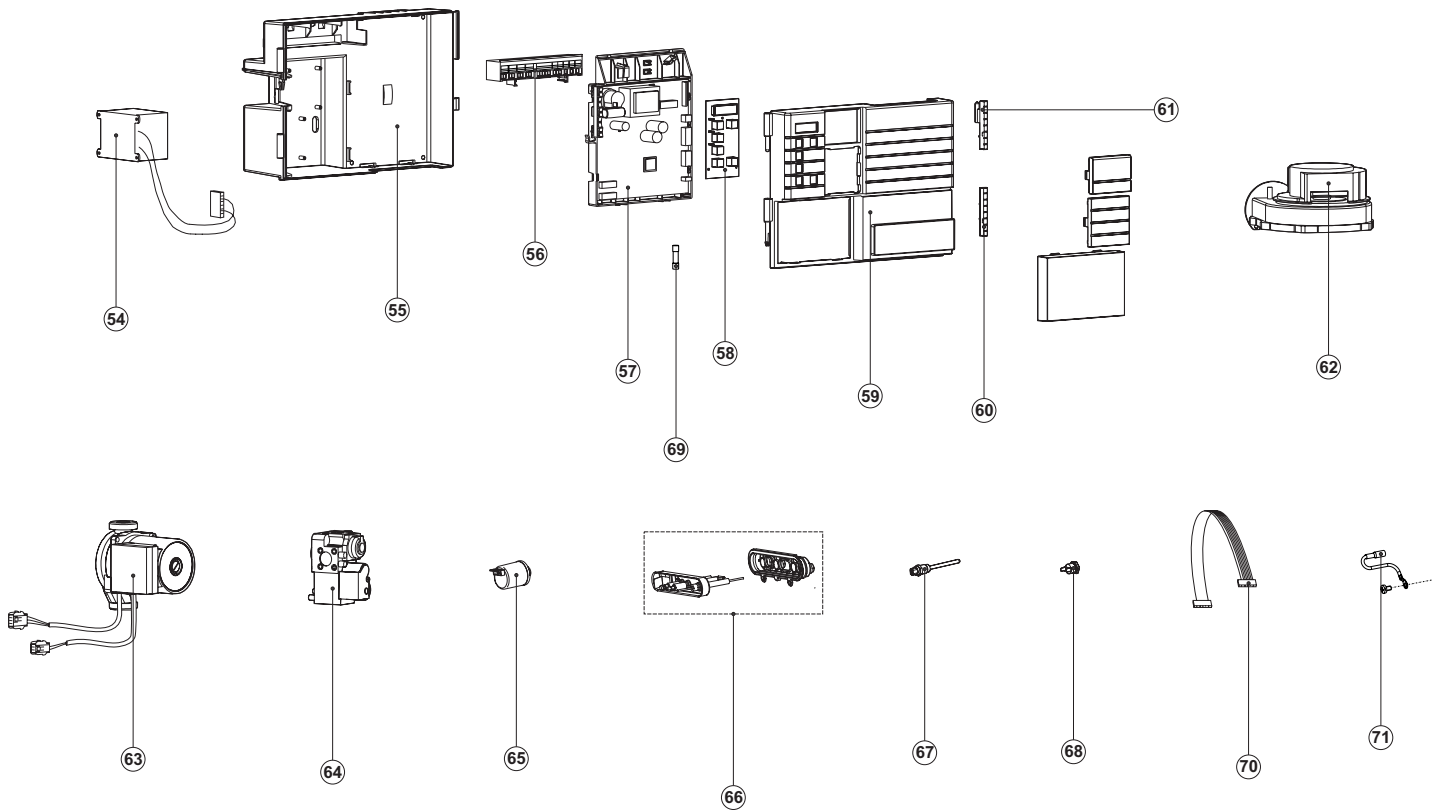


EVD-0087B

# Exploded view EB



**EVD-0087C**



**EVD-0087D**