

## EQ / EQB

### EQ + EQH parts



no	description	date	115	155	200	EQH
3	Flue baffle		0181382001(S)	0181382002(S)	0181382003(S)	0307363(S)
4	Burner		0300959(S)	0301159(S)	0301159(S)	0301159(S)
5	Thermocouple		0071872(S)	0071872(S)	0071872(S)	0071872(S)
6	Ignition cable		0303927(S)	0303927(S)	0303927(S)	0303927(S)
7	Electrode ignition		0071608(S)	0071608(S)	0071608(S)	0071608(S)
8	Drain valve		0042037001(S)	0042037001(S)	0042037001(S)	0042037001(S)
9	Gas control (NAT gas)		0300947(S)	0300947(S)	0300947(S)	0300947(S)
	Gas control (LP)		0300948(S)	0300948(S)	0300948(S)	0300948(S)
10	Piezo ignition		0307596(S)	0307596(S)	0307596(S)	0307596(S)
11	Magnesium anode		0183463023(S)	0183463039(S)	0183463039(S)	0183463039(S)
12	Cold water inlet		0183901026(S)	0183901035(S)	0183901044(S)	0183901047(S)
13	Sealing ring inlet		0183706(S)	0183706(S)	0183706(S)	0183706(S)
14	Thermostat roll-out protection		0071587(S)	0071587(S)	0071587(S)	0071587(S)
	Pilot burner (NAT gas)		0301820(S)	0301820(S)	0301820(S)	0301820(S)
	Pilot burner (LP)		0304315(S)	0304315(S)	0304315(S)	0304315(S)

no	description	date	280	380
1	Flue baffle	before 31-10-'07	0070239(S)	-
		before 21-08-'08	-	0301429(S)
		after 01-11-'07	0196172001(S)	-
		after 22-08-'08	-	0196172001(S)
2	Magnesium anode		0183463039(S)	0183463050(S)
	Flexible magnesium anode		0304728(S)	0304728(S)
3	Drain valve		0301022(S)	0301022(S)
4	Burner		0301399(S)	0301400(S)
5	Burner tube		0301839(S)	0301839(S)
6	Thermo couple		0071872(S)	0071872(S)
7	Ignition cable		0303927(S)	0303927(S)
8	Electrode ignition		0071608(S)	0071608(S)
9	Gas control (NAT gas)		0300947(S)	0300947(S)
	Gas control (LP)		0300948(S)	0300948(S)
10	Piezo ignition		0307596(S)	0307596(S)
11	Gasket inspection opening		0301136(S)	0301136(S)
12	Cold water inlet		0194132 029(S)	0040542030(S)
13	Thermostat roll-out protection	before 01-11-'07	0305345(S)	0305345(S)
		after 01-11-'07	0308237(S)	-
		after 22-07-'08	-	0308237(S)
14	Thermostat roll-out protection connection cable		0305346(S)	0305346(S)
	Pilot burner (NAT gas)		0301820(S)	0301820(S)
	Pilot burner (LP)		0304586(S)	0304586(S)

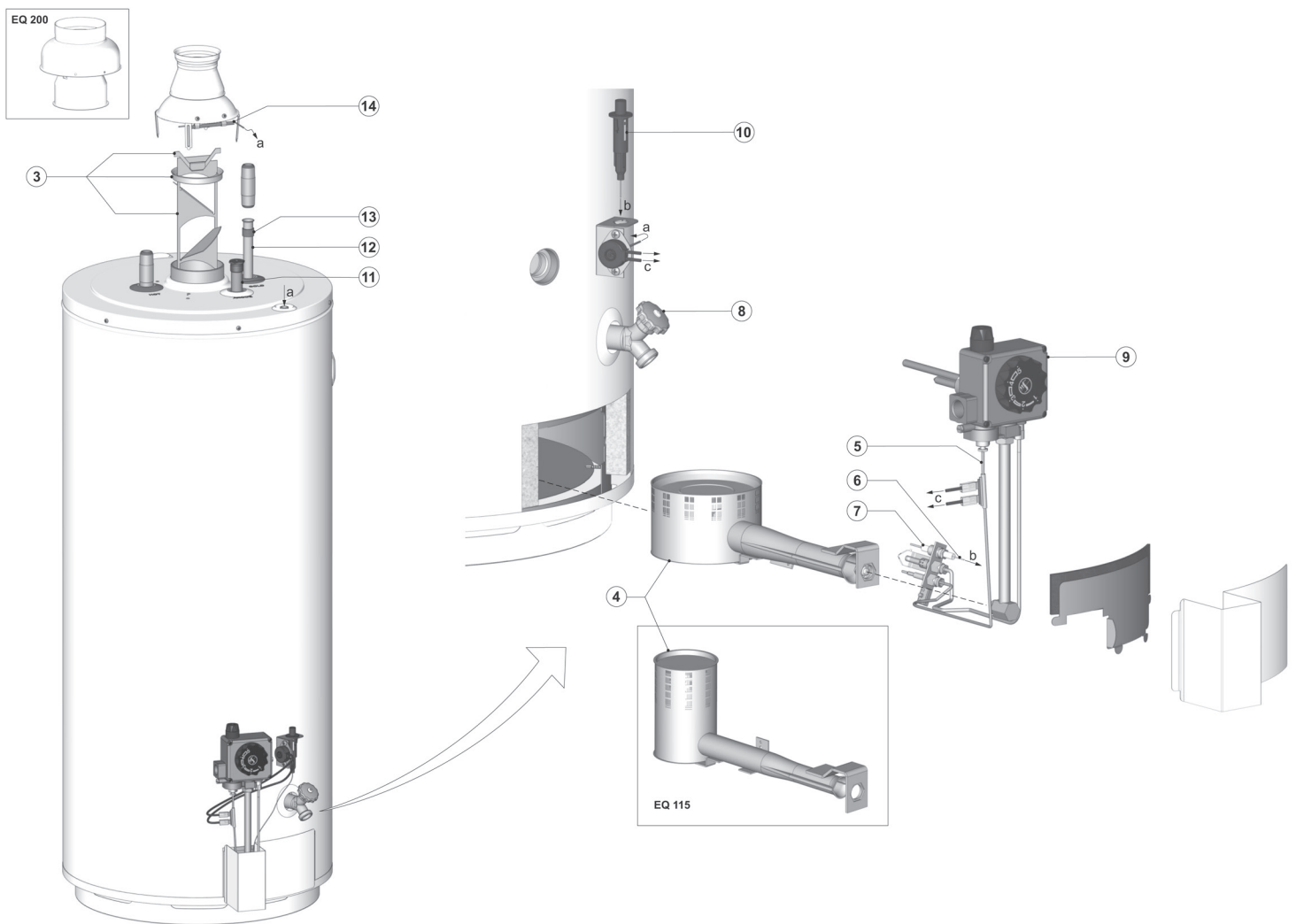
### EQB parts

no	description	date	115	155	EQB 2005"
3	Flue baffle		0181 382001(S)	0181 382002(S)	0307363(S)
4	Burner		0300959(S)	0301159(S)	0301159(S)
5	Thermo couple		0071872(S)	0071872(S)	0071872(S)
6	Ignition cable		0303927(S)	0303927(S)	0303927(S)
7	Electrode ignition		0071608(S)	0071608(S)	0071608(S)
8	Drain valve		0042037001(S)	0042037001(S)	0042037001(S)
9	Gas control (NAT gas)		0300949(S)	0300949(S)	0300949(S)
	Gas control (LP)		0301914(S)	0301914(S)	0301914(S)
10	Piezo ignition		0307596(S)	0307596(S)	0307596(S)
11	Magnesium anode		0183463023(S)	0183463039(S)	0183463032(S)
12	Cold water inlet		0183901 026	0183901 035(S)	0183901 047(S)
13	Sealing ring inlet		0183706(S)	0183706(S)	0183706(S)
14	Thermostat roll-out protection		0071587(S)	0071587(S)	0071587(S)
	Pilot burner (NAT gas)		0301820(S)	0301820(S)	0301820(S)
	Pilot burner (LP)		0304315(S)	0304315(S)	0304315(S)

# EQ + exploded view EQ 115/ 155 / 200

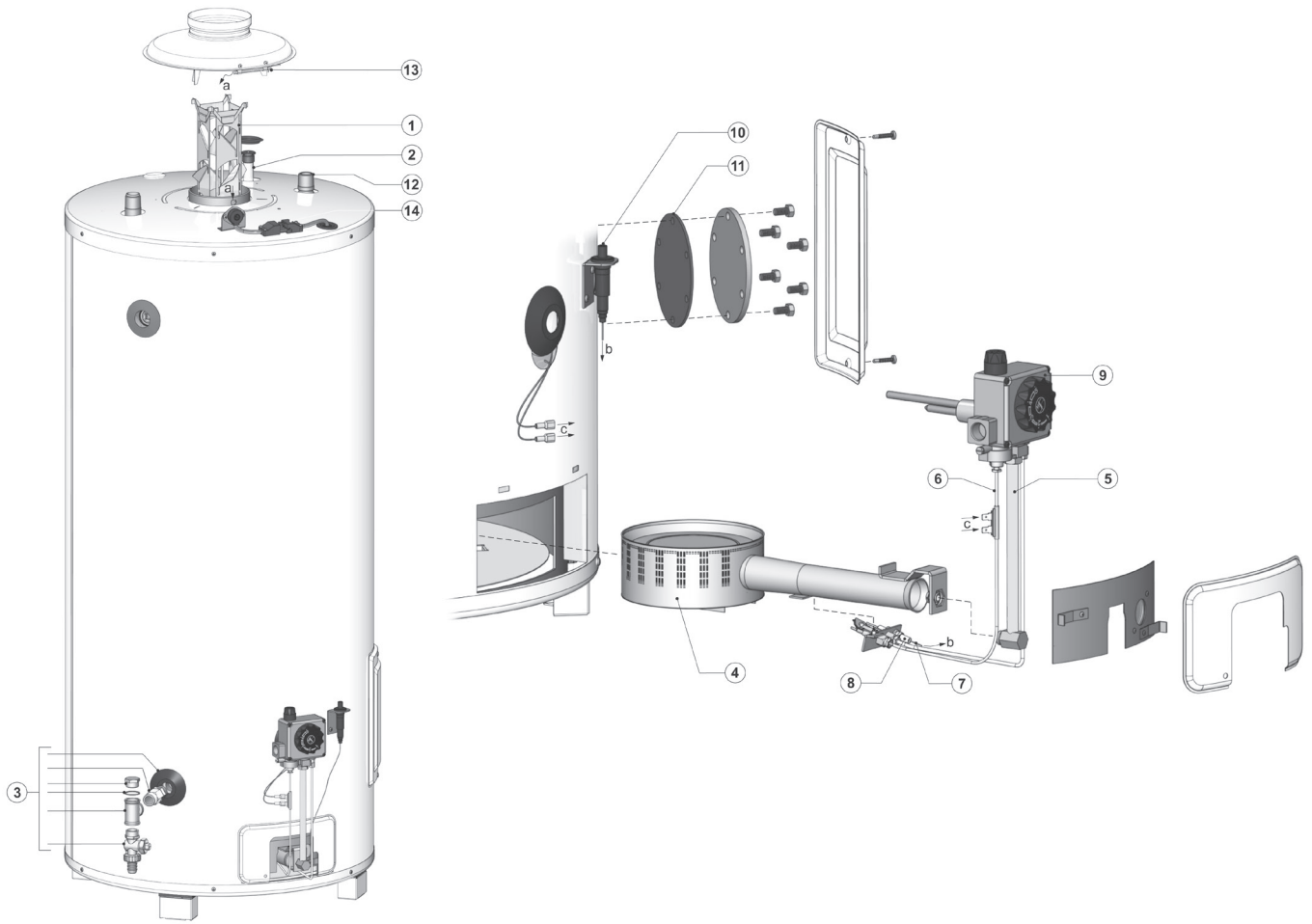
## EQ/EQB accessories

description	date	EQ/EQB 115	EQ/EQB 155	EQ 200	EQH 200	EQB 5"	EQ/EQB 280	EQ 380
Conversion set to LP	280 before 31-10-'07 380 before 21-07-'08	0301208(S)	0301211(S)	0301213(S)	0307781(S)	-	0301464(S)	0301466(S)
	280 after 01-11-'07 380 after 22-07-'08	-	-	-	0307781(S)	-	0308682(S)	0308709(S)
	EQB5" after 01-07-'06	-	-	-	-	0307779(S)	-	-
Conversion set to NAT gas	280 before 31-10-'07 380 before 21-07-'08	0310403(S)	0310403(S)	0310403(S)	0307782(S)	-	0301794(S)	0301796(S)
	280 after 01-11-'07 380 after 22-07-'08	-	-	-	0307782(S)	-	0308683(S)	0308710(S)
	EQB5" after 01-07-'06	-	-	-	-	0307780(S)	-	-
Protected cold supply setup 3/4" sfr		0302706(S)	0302706(S)	0302706(S)	-	-	0302706(S)	0302706(S)
Cleaning opening set		-	-	-	-	-	0305082(S)	0305082(S)
Gas Cock		0300718(S)	0300718(S)	0300718(S)	-	0300718(S)	0300718(S)	0300718(S)



EVD-0012\_R1

# Exploded view EQ 280/ 380



EVD-0013