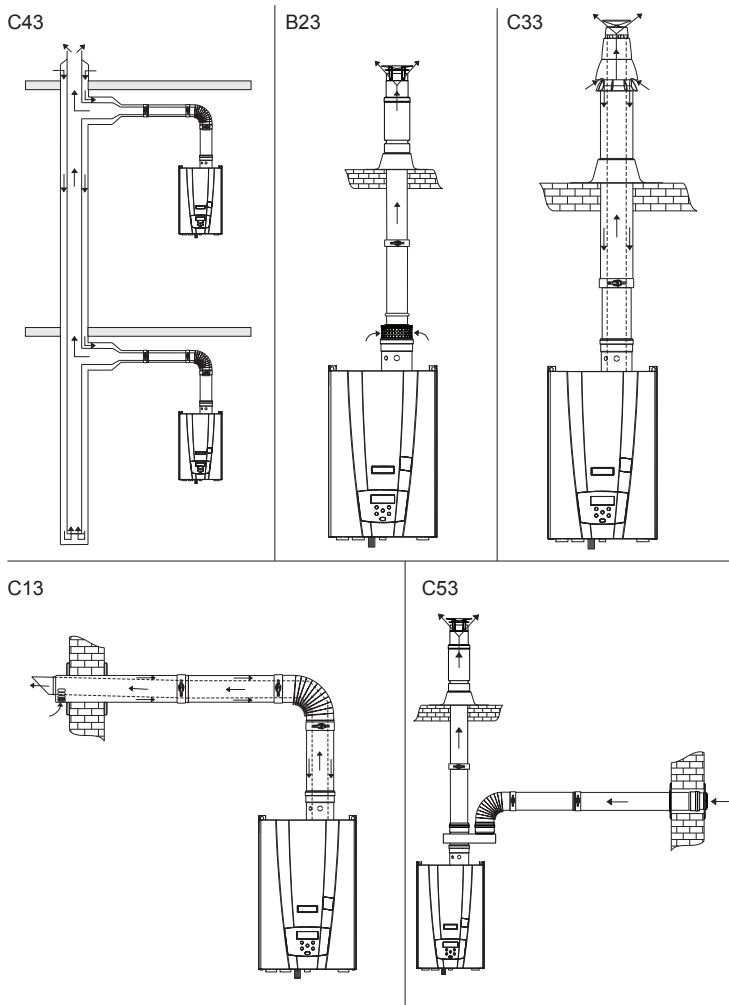


Additional flue gas discharge material Instano

	ICW-25	ICW-35	ICW-60
Concentric			
Diameter (mm)	60/100	60/100	80/125
Max. length (m)	10	10	10
Lequivalent/bend 90° (m)	1	1	1
Lequivalent/bend 45° (m)	0.5	0.5	0.5
Parallel			
Diameter (mm)	(2x) 80	(2x) 80	(2x) 80
Max. length (m)	(2x) 20	(2x) 12.5	(2x) 5
Lequivalent/bend 90° (m)	1	1	1
Lequivalent/bend 45° (m)	0.5	0.5	0.5



Parallel system (80mm/80mm)		
Adapter PP/Alu 60/100mm --> 2x 80mm	0312273	
Adapter PP/Alu 80/125mm --> 2x 80mm	0312209	
Roof flue terminal (incl. transition piece)	0310708	
Wall flue terminal (incl. transition piece)	0310728	
Tube	L = 250 mm	0310718
	L = 500 mm	0310719
	L = 1000 mm	0310720
	L = 2000 mm	0310721
Bend concentric	Telescopic (240-360 mm)	0310722
	Angle = 45°	0310701
	Angle = 90°	0310702

Concentric system (80/125mm)		
Roof flue terminal	0310753	
Wall flue terminal	0310757	
Tube concentric	L = 250 mm	0310740
	L = 500 mm	0310741
	L = 1000 mm	0310742
	L = 2000 mm	0310743
	Telescopic (280-395 mm)	0310744
Bend concentric	Cut to length	0310745
	Angle = 45°	0310734
	Angle = 90°	0310735
Wall flue terminal plate	0302520	
Roof tile flue terminal - Angle 25-45°	0303506	

Concentric system (60/100mm)		
Roof flue terminal	0312246	
Wall flue terminal	0312247	
Tube concentric	L = 250 mm	0312239
	L = 500 mm	0312240
	L = 1000 mm	0312241
	L = 2000 mm	0312242
	Telescopic	0312243
Bend concentric	Cut to length	0312244
	Angle = 45°	0312236
	Angle = 90°	0312237
Wall flue terminal plate Ø120mm	0307173	
Adaptor 100/125	0312248	

B23 system	
Air inlet basket 60/100	0312446
Air inlet basket 80/125	0305030

Further information on the flue gas discharge materials can be found in the Installation Manual.