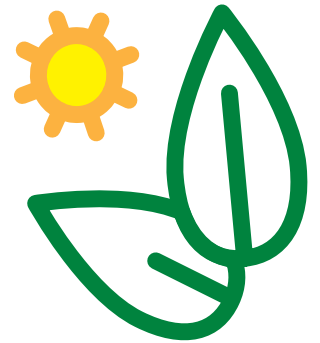


Indirect solar system

The Energy To Meet Your Needs



In the thermal solar energy range A.O. Smith can offer you 2 kinds of installations.

Firstly the solar systems that use thermal solar energy combined with an intelligent control system that makes the installation very energy efficient. This kind of installation is controlled by a high efficiency solar gas water heater. The combination of condensing high efficiency with thermal solar energy integrated in one solution minimizes the gas consumption of the installation.

A.O. Smith also provides installations for smaller applications in the configuration of indirect solar systems. These solar systems consist of an indirect tank which is connected to an already existing central heating system or boiler.

For any system you choose, A.O. Smith can deliver the required parts and several accessories.

A.O. Smith solar applications



Indirect solar system

A.O. Smith also provides installations for smaller applications in the configuration of indirect solar systems. These solar systems consist of an indirect tank which is connected to an already existing central heating system or boiler. With use of several accessories you can create the perfect solution. Both the ITE and ITS can be part of a solar system. Both can be installed with or without drain back.

The heat exchanger in the ITE or ITS transfers the collected heat to the available water. The ITS is equipped with 2 heat exchangers. Both the collected solar heat as well as the heating from the central heating system or boiler transfer their heat into the same tank. Therefore the use of an ITS in this application can lead to more comfort.

An indirect system is controlled through a standard module integrated in the pump station. This module controls the system based on the temperature in the collector and the indirect tank. The module displays the temperatures at the sensors and the capacity of the pump.

The choice for the correct pump station for a specific installation is based on the number of collectors and/or the length of the piping. A.O. Smith has regular and large capacity pump stations. Dependant on the choice of installation, the pump stations are available for installation with or without drain back system.

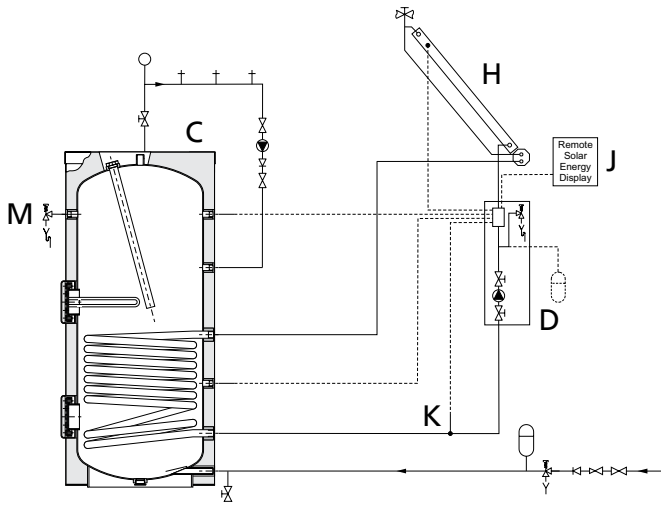
To help you assemble your solar installation you will find several options on the following pages. These options are divided into applications with or without drain back system. This drain back system prevents stagnation temperatures which boosts the life of your installation.

Under the installation drawing of a specific installation you will find a table in which the required parts are marked. These parts have a corresponding letter which helps you find the parts on the pages. The accessories that you can apply to the installation can also be found on these pages.



Indirect solar system

ITE with drain back system



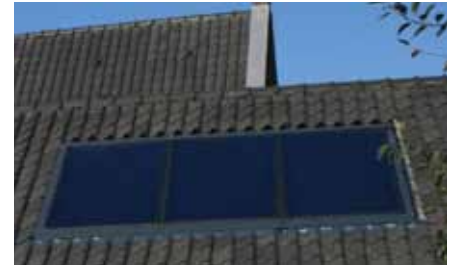
ITE indirect solar system with drain back system

- Solar system connected to existing central heating system or boiler
- ITE indirect tank with 1 heat exchanger available in capacities from 300 to 1000 Litre
- Combined with the correct pump station several numbers of collectors possible
- Drain back system prevents stagnation temperatures in the installation

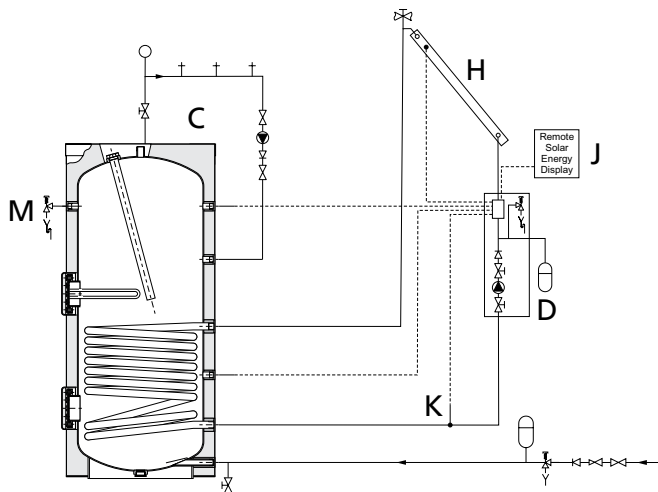
* If you use a large pump station, always install an expansion vessel.
Art.no.: 0309975, 0309979, 0309983, 0309987, 0309991

Also applicable as vented installation

	A	B	C	D	E	F	G	H	I	J	K	L	M
ITE with drain back system		



ITE without drain back system



ITE indirect solar system without drain back system

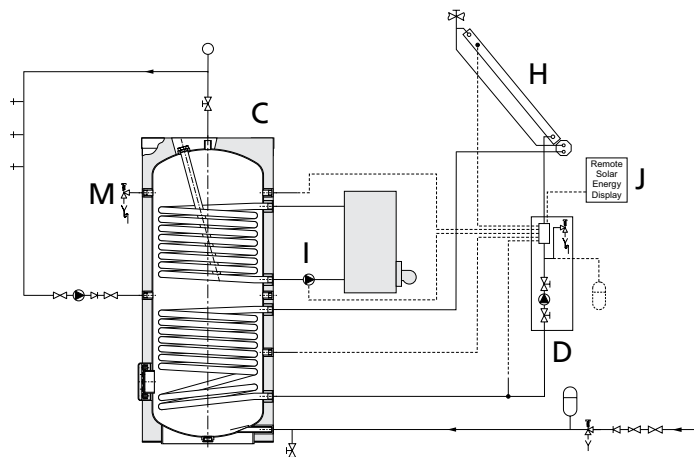
- Solar system connected to existing central heating system or boiler
- ITE indirect tank with 1 heat exchanger available in capacities from 300 to 1000 Litre
- Combined with the correct pump station several numbers of collectors possible
- Always use an expansion vessel in an installation without drain back system

Also applicable as vented installation

	A	B	C	D	E	F	G	H	I	J	K	L	M
ITE without drain back system		

Indirect solar system

ITS with drain back system



ITS indirect solar system with drain back system

- Solar system connected to existing central heating system or boiler
- ITS indirect tank with 2 heat exchangers available in capacities from 300 to 1000 Litre
- Combined with the correct pump station several numbers of collectors possible
- Drain back system prevents stagnation temperatures in the installation
- In an ITS installation both the collector and the central heating system or boiler transfer their heat into one tank. This leads to more comfort compared to the IT installation

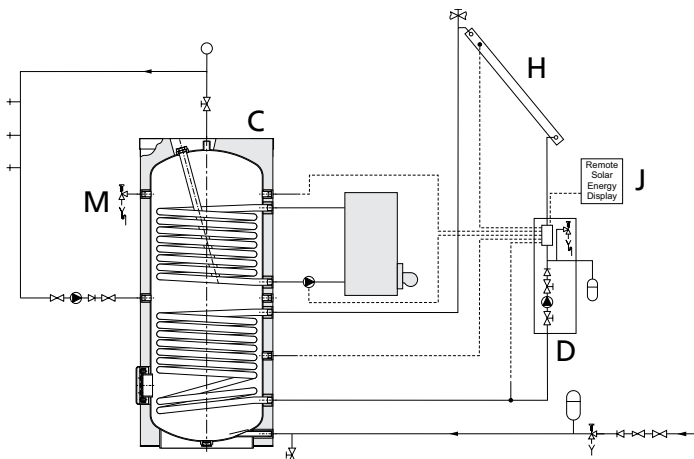
* If you use a large pump station, always install an expansion vessel.
Art.no.: 0309975, 0309979, 0309983, 0309987, 0309991

Also applicable as vented installation

	A	B	C	D	E	F	G	H	I	J	K	L	M
ITS with drain back system		



ITS without drain back system




ITS indirect solar system without drain back system

- Solar system connected to existing central heating system or boiler
- ITS indirect tank with 2 heat exchangers available in capacities from 300 to 1000 Litre
- Combined with the correct pump station several numbers of collectors possible
- Always use an expansion vessel in an installation without drain back system
- In an ITS installation both the collector and the central heating system or boiler transfer their heat into one tank. This leads to more comfort compared to the IT installation

Also applicable as vented installation


	A	B	C	D	E	F	G	H	I	J	K	L	M
ITS without drain back system		

Components A.O. Smith solar system




C

ITE			
Type	Litre	kW	
400	385	78	
500	473	100	
600	643	104	
750	725	112	
1000	1007	145	




C

ITS			
Type	Litre	kW* CV	
300	289	27	
400	382	37	
500	470	42	
600	641	40	
750	718	56	
1000	1007	58	



D


PUMP STATION			
Art. No	Collectors	DB	
0308802	1-7	no	
0308783	8-15	no	
0310195	1-7	yes	
0309410	8-15	yes	



E

EXPANSION VESSEL			
Art. No	Litre	Collectors*	
0308875	25	1-4	
0308876	35	5-6	
0308877	50	7-11	
0308878	80	12-15	

* The expansion vessel is based on the number of collectors.
For more information please contact the Technical Support Group.



F

GLYCOL	
Art. No	Litre
0308803	10

* Corrosion inhibiting and anti-frost agent Tyfocor L®
* Packaging of 10 litres in 40% mixed solution

GLYCOL FOR ITE					
	ITE 400	ITE 500	ITE 600	ITE 750	ITE 1000
1-2 Collectors	50	50	60	70	80
3-5 Collectors	60	60	70	70	80
6-11 Collectors	70	70	80	80	90
12-15 Collectors	80	80	90	90	100

- These quantities are based on the contents of the appliance excluding piping
- These quantities are averages. For the exact quantities please contact our Technical Support Group

GLYCOL FOR ITS						
	AMOUNT (LITRES)					
	ITS 300	ITS 400	ITS 500	ITS 600	ITS 750	ITS 1000
1-2 Collectors	40	50	50	60	70	80
3-5 Collectors	50	60	60	70	70	80
6-11 Collectors	60	70	70	80	80	90
12-15 Collectors	70	80	80	90	90	100

- These quantities are based on the contents of the appliance excluding piping
- These quantities are averages. For the exact quantities please contact our Technical Support Group

Components A.O. Smith solar system



LARGE PUMP STATION WITH DRAINBACK	
Art. No	
	0309975
	0309979
	0309983
	0309987
	0309991

* Altijd installeren in combinatie met een expansievat
 * Besturing wordt meegeleverd

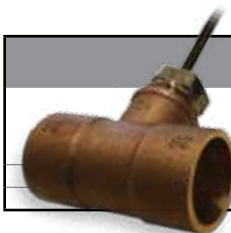


LARGE PUMP STATION WITHOUT DRAINBACK	
Art. No	
	0309976
	0309980
	0309984
	0309988
	0309992

* Besturing wordt meegeleverd



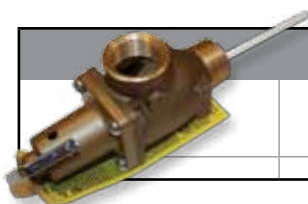
SMART DISPLAY	
Art. No	
	0309701(S)



OUTPUT SENSOR		
Art. No	Connection	
0309691(S)	22 mm solder	
0309703(S)	28 mm solder	



Description	REDUCING NIPPLES					
	ITE/ITS					
	300	400	500	600	750	1000
Reducing Nipple Set 2" BSp F x R 1" M	-	0309754(S)	-	-	-	-
Reducing Nipple Set 2" BSp F x R 1 1/2" M	-	0309755(S)	-	-	-	-
Reducing Nipple Set 2 1/2" BSp F x R 1" M	-	-	-	-	0309756(S)	-
Reducing Nipple Set 2 1/2" BSp F x R 1" M	-	-	-	-	0309757(S)	-
Reducing Nipple Set 2 1/2" BSp F x R 1 1/2" M	-	-	-	-	0309758(S)	-



T&P VALVE		
Art. No	Connection	
0076527004(S)	3/4" / 10 bar	



INSULATION MATERIAL		
Type	Dimensions	
0309933(S)	Ø 22mm x 2m	
0309934(S)	Ø 28mm x 2m	

* Bird-proof, suitable for outdoor

Customer service/sales



CONTACT

A.O. Smith European Headquarters

De Run 5305
5503 LW Veldhoven
The Netherlands

Telephone 0031 40 294 2500
Telefax 0031 40 294 2539
E-mail info@aosmith.nl
Website www.aosmith.co.uk

CUSTOMER SERVICE / SALES

A.O. Smith European Headquarters

Telephone 0031 40 294 2500

Within A.O. Smith we highly value personal contact. At this end an extensive team of expert staff is available at all times.

DISCLAIMER

Although the contents of this price list have been prepared with the greatest care A.O. Smith can accept no liability whatsoever for any direct or indirect damages of any kind that may arise due to either errors or omissions in the price list or amendments to product or other specifications following publication.

Veldhoven January 2012

SALES ENGINEERS

Northern Regional Sales Manager

Andy Clements
07920 764782
andrew.clements@aosmith.co.uk

Fred Smith
07789 687188
fred.smith@aosmith.co.uk

Bob Smith
07901 552683
bob.smith@aosmith.co.uk

John Thompson
07771 332431
john.thompson@aosmith.co.uk

Greg Brushett
07918 161135
greg.brushett@aosmith.co.uk

Harry Pettis
07973 539819
harry.pettis@aosmith.co.uk

Walter Brown
07775 750524
walter.brown@aosmith.co.uk

Sales director
Jason Fretwell
07775 750 526
jason.fretwell@aosmith.co.uk

Southern Regional Sales Manager

Bryan Marland
07823 338179
bryan.marland@aosmith.co.uk

David Porter
07787 299207
david.porter@aosmith.co.uk

Mark Godfrey
07825 835812
mark.godfrey@aosmith.co.uk

Terry Simmonds
07799 404039
terry.simmonds@aosmith.co.uk

Andy Law
07775 750523
andrewl@aosmith.co.uk



Data subject to change

Data subject to change UK/0312/Indirect solar system/04
Terms and conditions apply, please refer to our website.